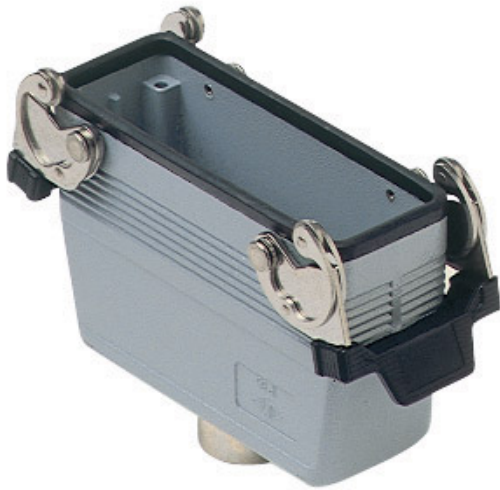


Part number



CAV 24 G



Brief description:

hoods with two levers, size "104.27", top entry, Pg21, metal version, IP66

Product description	
Version	metal version
Series	hoods with two levers
Product type	with 2 levers
Variant	top entry
Style	high construction
Family	CLASS enclosures
Size	size "104.27"
Technical data	
Material	metal
IP degree of protection	IP66 (and IP69K DIN 40050 - 9)
Cable entry	Pg21
Further technical details	
Weight	397,00 g

Approvals / Standards	
Quality mark	 (type:4/4X/12),  , EAC
Conformity	CQC, CE
General ordering information	
EAN13 code	8015747009898
Tariff number	85369095
Packaging Information	
Packaging length	330,00 mm
Packaging height	170,00 mm
Packaging width	230,00 mm
Packaging weight	3,97 kg
Packaging volume	12,90 dm ³
Packaging description	Carton box
Packaging quantity	10 Pcs
Packaging EAN code	8015747226103
Sub-packaging weight	1,99 kg
Sub-packaging description	Plastic packaging
Sub-packaging quantity	5 Pcs
Sub-packaging EAN barcode	8015747009904

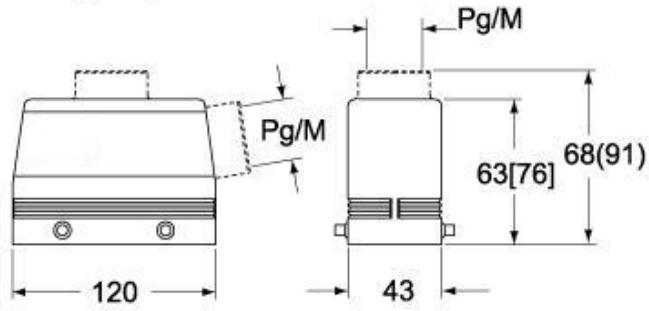
Part number

CAV 24 G



Catalogue drawings

**CHO [CAO] CHV (CAV) - MHO [MAO]
MHV (MAV)**



CHV G (CAV G) - MHV G (MAV G) - [MFV G]

